

PAPER CRAFT

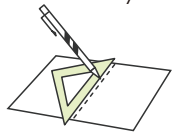
<http://www.canon.com/c-park/en/>



View of completed model

Assembly Instructions: Four A4 sheets (No.1 to No.4)

*Build the model by carefully reading the Assembly Instructions, in the parts sheet page order.



*Hint: Trace along the folds with a ruler and use an exhausted pen (no ink) to get a sharper, easier fold.

Assembly Instructions

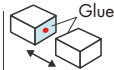


Mountain fold(dotted line)
Make a mountain fold.

Valley fold(dashed and dotted line)
Make a valley fold.

Scissors line(solid line)
Cut along the line.

Cut in line(solid line)
Cut along the line.



Glue
The glue spot(colored dot) shows where to apply the glue.

Glue spot(Red dot)
Glue parts with the same number together.

Glue spot(Green dot)
Glue within the same part.

Glue spot(Blue dot)
Glue to the rear of the other part.

Tools and materials



Scissors, set square, glue(We recommend stick glue), pencil, used ballpoint pen, toothpicks, tweezers, (useful for handling small parts)

Assembly tip



Before gluing, create the paper along mountain fold and valley fold lines and make sure rounded sections are nice and stiff.

Caution

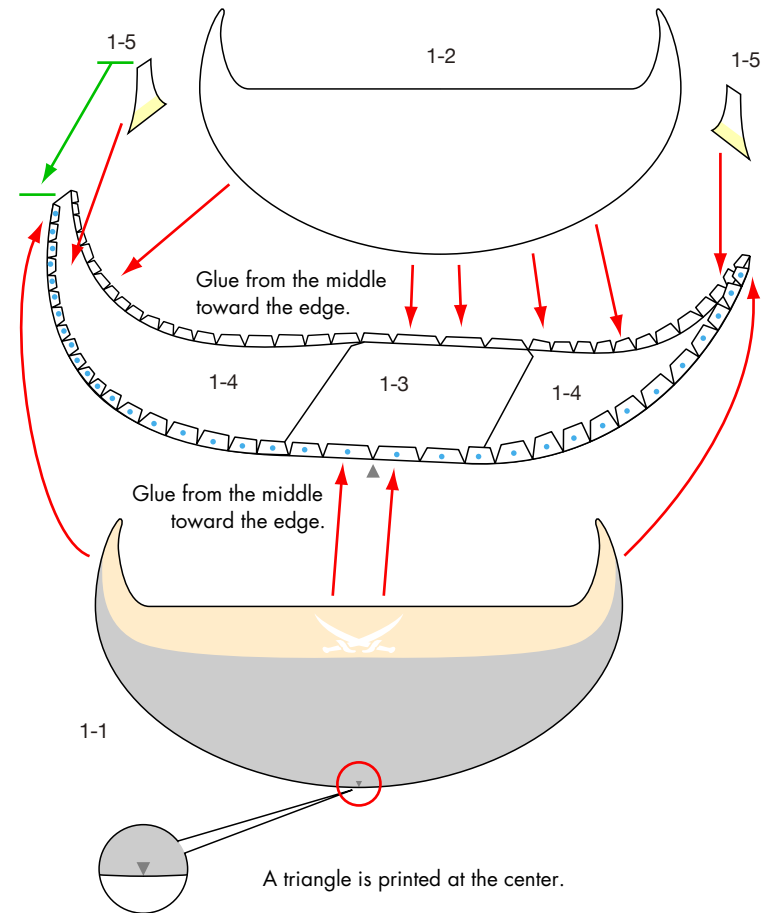


Glue, scissors and other tools may be dangerous to young children so be sure to keep them out of the reach of young children.

Before starting assembly: Writing the number of each section on its back side before cutting out the sections is highly recommended. (* This way, you can be sure which section is which even after cutting out the sections.)

→ Indicates where sections should be glued together.
→ Indicates where to insert sections. Do not glue the section together.

Glue to the yellow-shaded areas of the rear surfaces of parts 1-4 and 1-5 in place so that their tops match each other. (Do not glue the entire rear sides of these parts.)



Balance Game: Assembly Instructions

1-7

1-6

Insert this part after bending it as shown in the illustration. Do not glue this part.

Place the deck on top of the hull. Do not glue this part.

Close-up

3-5

3-1

3-2

3-3

3-4

Slightly bend parts 3-2 and 3-3.

4-4

4-1

4-2

4-3

Glue the rear side of part 4-4 to the inside of part 4-1.

Slightly bend parts 4-2 and 4-3.

2-1

2-2

Bend this piece.

2-3

Assemble parts 5 through 15 in the same way.

5-4

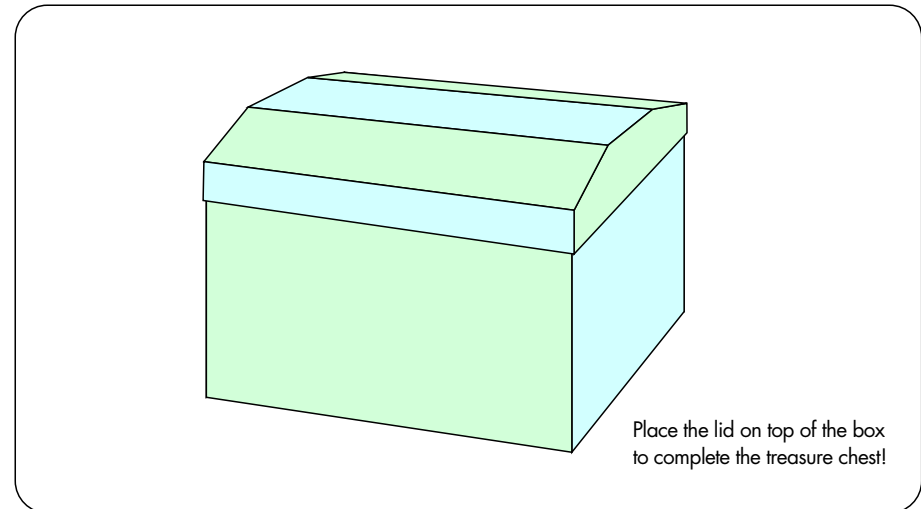
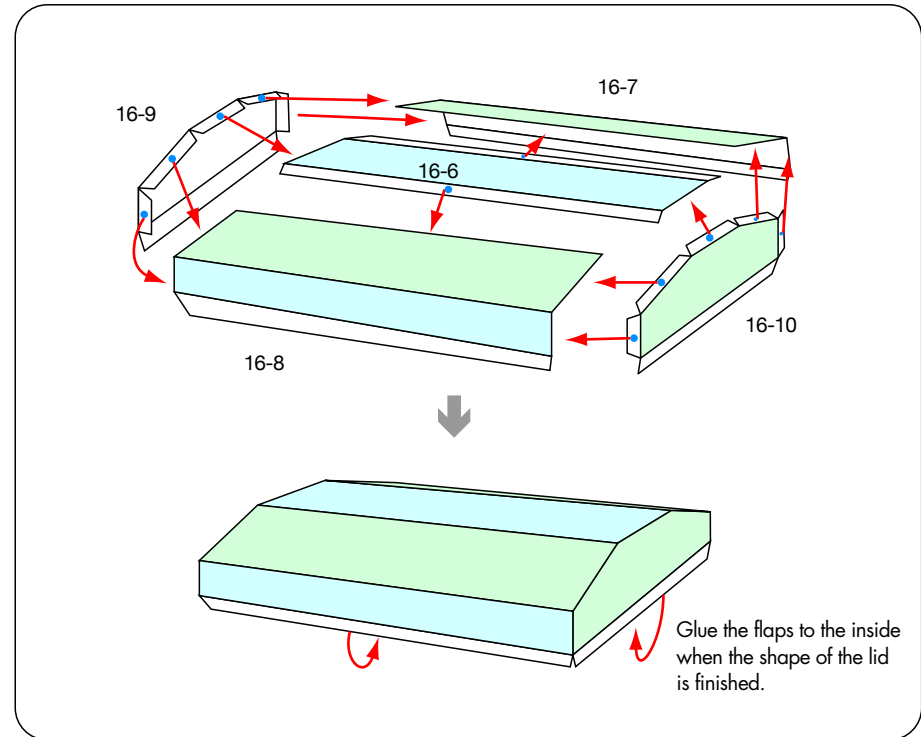
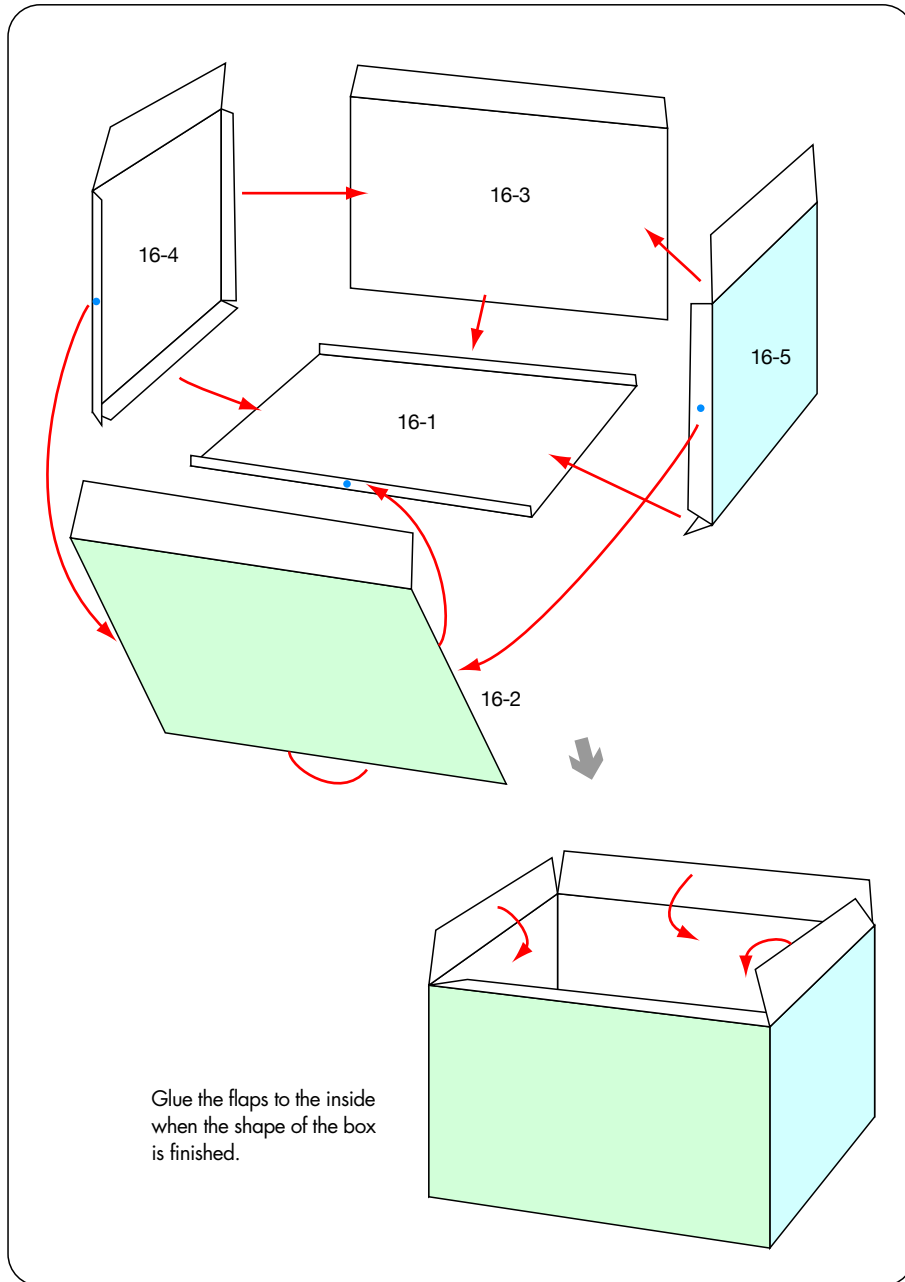
5-1

5-2

5-3

You can interlock the pirates' arms by matching the notches in their upper and lower arms.

Balance Game: Assembly Instructions



Balance Game: Assembly Instructions

The photograph below shows one example of how to stack the pirate dolls in this balance game. Try stacking the dolls and interlocking their arms in various ways.

